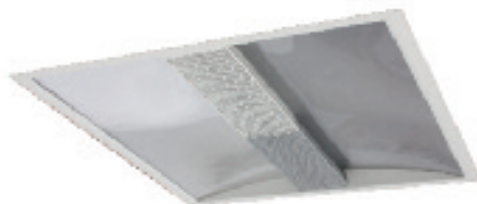


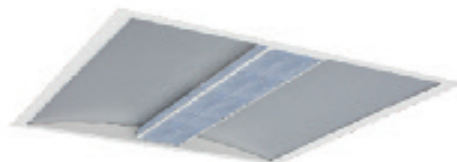
RCM-OP



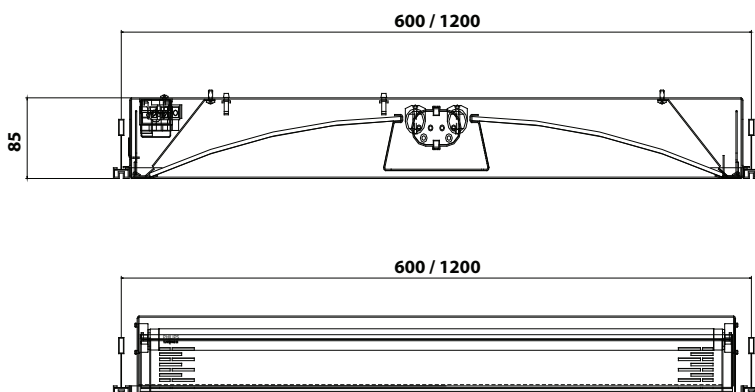
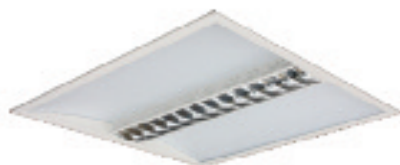
RCM-HO



RCM-MP



RCM-SL



**Range:**

Recessed Centre Mesh Lens

**Mounting:**

Recessed / Exposed Concealed Ceiling

**Construction:**

Sheet Steel-Powder Coated RAL9010

**Controls:**

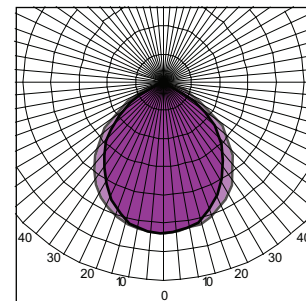
High Frequency	- Standard
DALI	- DL
DSI	- DS
Analogue 0-10	- 010
Integral Emergency	- EM

**Optics:**

Perforated Grid Lamp Cage	-Std
Opal Side Panels	-OP
Holographic Side Panels	-HO
Micro Prism	-MP
Satin Louvred Centre	-SL

**Distribution:**

RCM.155



**Efficiency:**

DLOR	- 65.5%
SHR NOM	- 1.62
SHR MAX	- 1.75

**Options:**

600 x 300 Modules	2 x 24w T5 / 1 x 55w PLL
1200 x 300 Modules	2 x 28w/54w T5
1500 x 300 Modules	2 x 35w/49w T5
600 x 600 Modules	3 x 24w T5
600 x 600 Modules	1 x 40w/55w PLL