



Range:

Recessed Downlighter Horizontal Lamp
240 / 300 mm Dia Asymmetric Reflector

Mounting:

Recessed

Construction:

Cast Aluminium / Moulded Gear Housing

Controls:

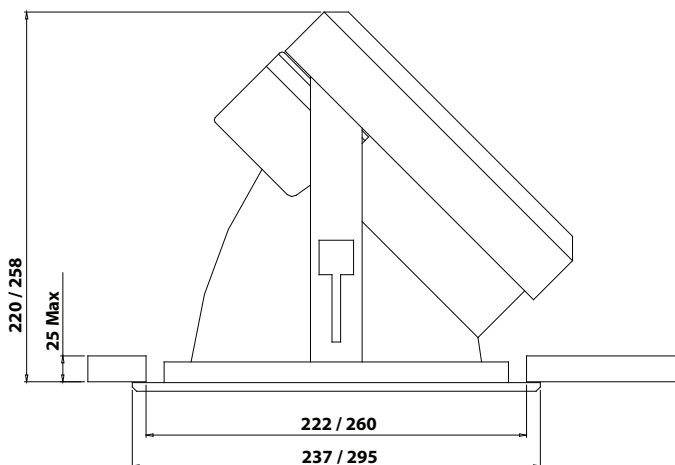
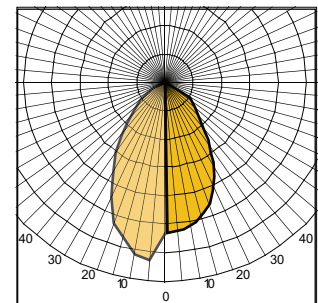
High Frequency	- Standard
DALI	- DL
DSI	- DS
Analogue 0-10	- 010
Remote Emergency	- REM

Optics:

Specular Asymmetric Reflector

Distribution:

RDHAS.24.1042



Efficiency:

DLOR - 60%

Options:

240mm Diameter Single lamp 26w, 32w, 42w PLT
300mm Diameter Twin Lamp 26w, 32w, 42w PLT